

# PHOTO KIOSK



## PS6150

### Celeron® M High Performance 15" PHOTO KIOSK

#### Features and Benefits:

- Celeron® M high performance platform
- 15" LCD display with touch screen
- Flexible design for versatile applications
- Integrated thermal printers, prints  
Customer receipt and order details
- Easy paper refill
- Support multimedia card reader and  
DVD-ROM reader

**WEPOS  
Ready**



No. 24, Lane 365, Yang Guang St., Nei Hu  
District, Taipei 114, Taiwan, R.O.C.

Tel: +886-2-8751-1111

Fax: +886-2-8751-1199

Email: [sales@protech.com.tw](mailto:sales@protech.com.tw)

<http://www.protech.com.tw>

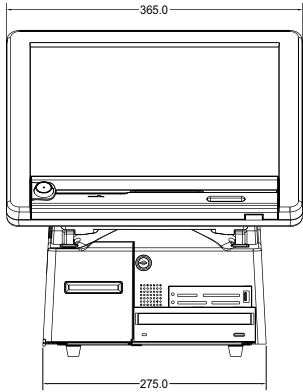


ISO CERTIFIED  
9001 14001

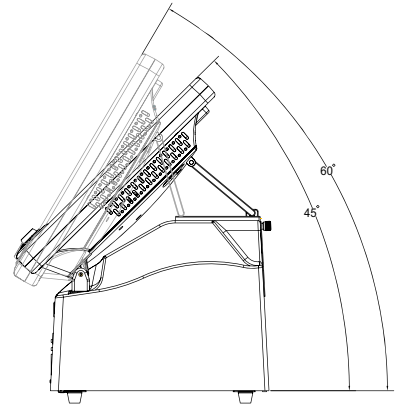
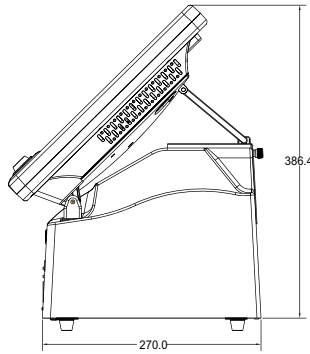
# PS6150

## Celeron® M High Performance 15" PHOTO KIOSK

Front View



Side View



Unit: mm

### Specification

System	
<b>CPU Support</b>	Intel® Celeron® M 1.5GHz CPU
<b>Memory</b>	1 x 184pin DIMM Slot, 512MB DDR SDRAM (up to 1GB)
<b>Core Logic</b>	Intel® 852GM & ICH4 support FSB 400MHz CPU
<b>Network</b>	10/100Base-T Fast Ethernet
<b>Audio</b>	AC '97 Codec with internal mono speaker (2watt x 1)
<b>Power Supply</b>	180W 1U ATX power supply ( w/o Printer) 250W 1U ATX power supply ( with Printer)
<b>Dimension (WxDxH)</b>	365 x 270 x 386.4 mm (14.37" x 10.63" x 15.21")
<b>O.S. Compliant</b>	Windows 2000 / XP / XPE, WEPOS

### Storage

<b>HDD</b>	1 x 3.5" HDD (standard 80GB)
<b>CF</b>	Bootable Compact Flash slot for CF type I/II storages

### I/O Ports

<b>USB</b>	3 x USB 2.0 ports
<b>Serial Ports</b>	2 x DB-9, +5V/12V Selectable
<b>Parallel</b>	1 x DB-25 parallel port (SPP / EPP / ECP)
<b>PS/2</b>	2 x PS/2 ports
<b>LAN</b>	1 x RJ-45 interface
<b>Audio</b>	1 x Line-out audio jack
<b>VGA</b>	1 x DB-15 VGA interface

### Display

<b>LCD</b>	15" TFT LCD
<b>Max. Resolution</b>	1024 x 768
<b>Brightness</b>	250 cd/m <sup>2</sup>
<b>Touch Screen</b>	5-wire Analog resistive
<b>Viewing Angle</b>	0 ~ 65 degree
<b>Display Tilt Angle</b>	45 ~ 60 degree
<b>Protection</b>	Water Proof Front Panel (w/o MSR)

### Environment

<b>EMC &amp; Safety</b>	CE, FCC, UL
<b>Operating Temp.</b>	0° ~ 35°C
<b>Storage Temp.</b>	-20° ~ 60°C
<b>Humidity</b>	20% ~ 90%

### Peripherals (Optional)

Thermal receipt printer

All of trademarks and brand names are the property of their owners. Trademark "Protech" is the property of Protech Systems Co., Ltd. All information contained in this document is subject to change without any prior notice. This catalog is copyrighted in MAY, 2007