

POS

PS8831

Celeron® M High Performance 12.1" POS Terminal

Features and Benefits:

- 12.1" High-Performance Low-power POS Terminal
- Intel® ULV (ultra-low-voltage) Celeron® M platform
- Easy-Maintain Design -- swappable 2.5"HDD, easy-access Memory & CF Card, exchangeable MSR
- Optional MSR and Smart (IC) Card Reader
- Optional Slim CD-ROM & Slim Floppy
- Silent operation (<35dB)



**WEPOS
Ready**



No. 24, Lane 365, Yang Guang St., Nei Hu District, Taipei 114, Taiwan, R.O.C.

Tel: +886-2-8751-1111

Fax: +886-2-8751-1199

Email: sales@protech.com.tw

<http://www.protech.com.tw>

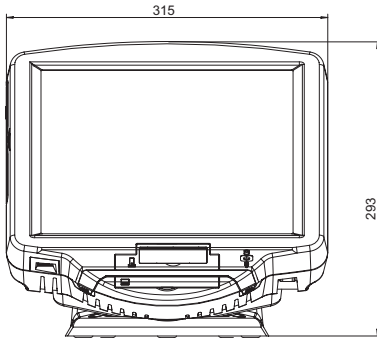
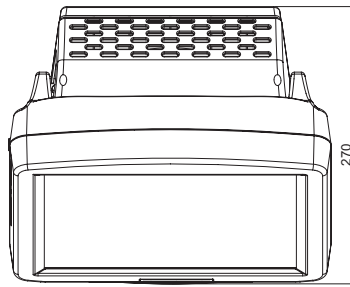
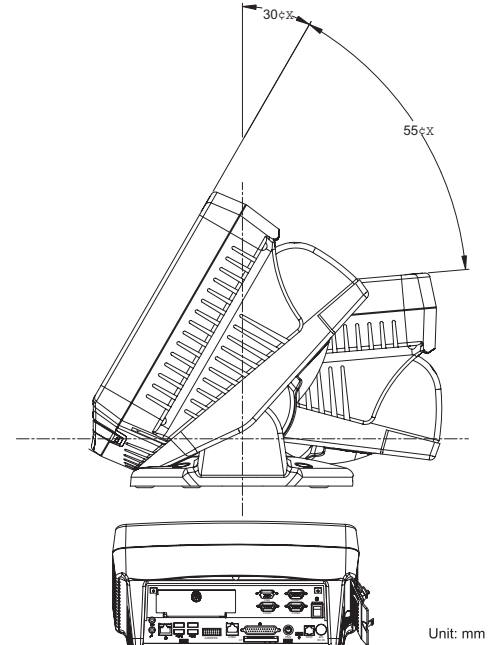


ISO CERTIFIED

9001 14001

PS8831

Celeron® M High Performance 12.1" POS Terminal

Front View**Bird View****Side View****Specification**

System	
CPU Support	Intel® ULV Celeron® M 1GHz (uBGA) up to Celeron® M 1.5GHz (uPGA Socket 478)
Memory	One 200-pin DDR SODIMM socket supports up to 1GB (Non-ECC)
Core Logic	Intel® 852GM (N. Bridge) / ICH4 (S. Bridge) (supports FSB400MHz CPU, DDR 200/266)
Network	10/100 Base-T Fast Ethernet
Audio	AC '97 Codec
Power Supply	120W power adaptor, AC 100-240V input
Weight	6.07kg
Dimension(WxHxD)	315 x 293 x 270 mm (12.4" x 10.63" x 11.54")
O.S. Compliant	Microsoft Windows 98/2000/XP/XPE, WEPOS, Linux

Storage

HDD	2.5" IDE interface HDD x 1
FDD	Slim-type FDD driver bay x 1 (optional)
CD-ROM	Slim-type CD-ROM driver bay x 1(optional)
CF	Bootable Compact Flash slot for CF type I/II storages x 1

I/O Ports

Serial Ports	All COM ports are 5V/12V selectable 3 x DB-9 (COM1~COM3, COM1 share with smart card reader), 1 x RJ-45 (COM4)
PS/2	1 x PS/2 port
VGA	1 x DB-15 VGA interface
USB	5 x USB2.0

LAN	1 x RJ-45 interface
Parallel	1 x DB-25 parallel port
Audio	1 x Line-out, 1 x Min-in
Others	1 x RJ-11 port for cash drawer (12V & 24V selectable)

Display

LCD	12.1" TFT LCD
Resolution	800 x 600 (Optional 1024 x 768)
Brightness	250nit (Hardware brightness control)
Touch Screen	5-wire resistive type

Environment

Operating Temp.	0° ~ 40°C
Storage Temp.	-20° ~ 60°C
Humidity	10% ~ 90%
Viewing Angle	0 ~ 60 degree
Display Tilt Angle	30 ~ 85 degree

Ordering Information

PS8831	12.1" POS terminal with Intel ULV Celeron-M 1GHz CPU, 256MB DDR SO-DIMM, 40GB HDD
Card Reader	MSR (Optional, ISO track 1+2+3 & JIS-II) MSR + Smart card (Optional, ISO track 1+2+3 & JIS-II + ISO7816/3 T=0& T=1 protocol)
Slim CD-ROM	24X Slim Type internal CD-ROM
Slim Floppy	3.5" Slim Type 1.44M internal Floppy
Color	Black, Beige

All of trademarks and brand names are the property of their owners. Trademark "Protech" is the property of Protech Systems Co., Ltd. All information contained in this document is subject to change without any prior notice. This catalog is copyrighted in DEC. 2006